

# Ashland

P U M P

## UT57 HEAVY DUTY CAPACITY UTILITY PUMP

### FEATURES

- Heavy duty cast iron construction
- Reliable brush-type motor
- Equipped with 3/4" brass hose adapters

*Honest  
Professional  
Dependable*

1899 Cottage Street, Ashland, Ohio 44805

Telephone: 855 281-6830 · Fax: 877 326-1994

[ashlandpump.com](http://ashlandpump.com)



# UT57 - 1/2 HP Heavy Duty High Capacity Utility Pump

## TECHNICAL DATA

### Physical Data:

DISCHARGE SIZE **3/4" NPT**  
 IMPELLER TYPE **Vortex**  
 CABLE LENGTH **10'**

### Liquid Handling:

SOLIDS SIZE **1/4"**  
 MAXIMUM LIQUID TEMP. **104°F - Intermittent**  
 ACCEPTABLE PH RANGE **6-8 PH**

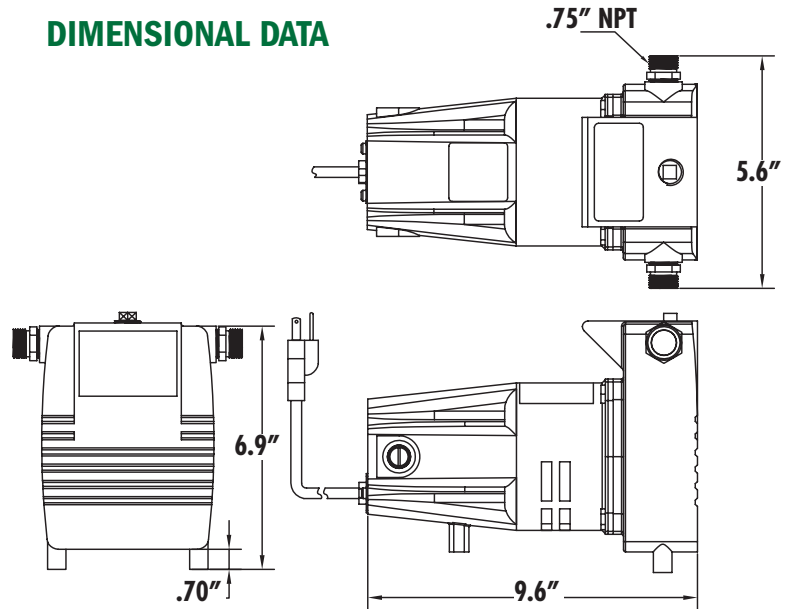
### Technical Data:

POWER CORD TYPE **SJT 18/3C**  
 MOTOR HOUSING **Cast Iron**  
 CASING **N/A**  
 IMPELLER **Thermoplastic**  
 MOTOR SHAFT **SS430**  
 HARDWARE **SST**  
 "O" RINGS **NBR**  
 SEAL TYPE **Mechanical**  
 UPPER BEARING **608-2RS**  
 LOWER BEARING **6201**

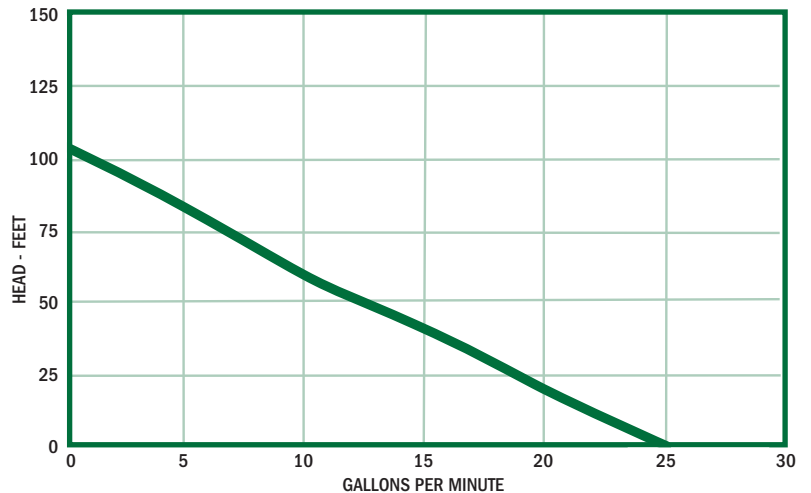
## ELECTRICAL DATA

R.P.M. **7000**  
 MOTOR TYPE **Brush Type**  
 GEN INSULATION CLASS **B**  
 STATOR WINDING CLASS **B**  
 MAXIMUM STATOR TEMP **120°C**  
 VOLTAGE TOLERANCE **±10%**  
 MOTOR PROTECTION **Thermally Protected**  
 HP **1/2**  
 VOLTAGE **115**  
 PHASE **1**  
 SERVICE FACTOR **1**  
 FULL LOAD AMPS **8.0**

## DIMENSIONAL DATA



## PERFORMANCE CURVE



## PERFORMANCE CHART

Total Lift(feet)	0	20	40	60	80	101
GPM	25	18	14	10	4.8	0



P U M P

*Honest, Professional, Dependable*

1899 Cottage Street, Ashland, Ohio 44805  
 Telephone: 855 281-6830 · Fax: 877 326-1994 · ashlandpump.com