

Ashland

P U M P

UT56 SUBMERSIBLE UTILITY PUMP

FEATURES

- Corrosion resistant thermoplastic construction
- Efficient PSC motor
- Handles 1/8" solids

*Honest
Professional
Dependable*

1899 Cottage Street, Ashland, Ohio 44805

Telephone: 855 281-6830 · Fax: 877 326-1994

ashlandpump.com



UT56 - 1/3 HP Submersible Utility Pump

TECHNICAL DATA

Physical Data:

DISCHARGE SIZE **1-1/4" NPT**
 IMPELLER TYPE **Vortex**
 CABLE LENGTH **10'**

Liquid Handling:

SOLIDS SIZE **1/8"**
 MAXIMUM LIQUID TEMP. **104°F - Intermittent**
 ACCEPTABLE PH RANGE **6-8 PH**

Temperature:

MAXIMUM STATOR **120°C**

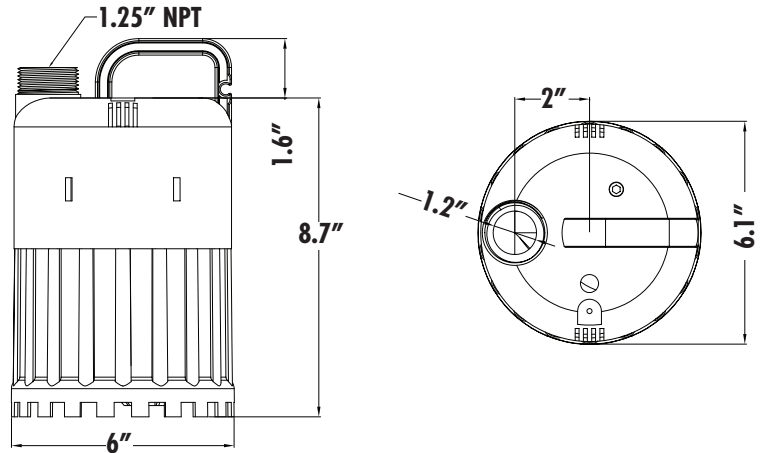
Technical Data:

POWER CORD TYPE **SJTW 18/3C**
 MOTOR HOUSING **Thermoplastic**
 CASING **N/A**
 IMPELLER **Thermoplastic**
 MOTOR SHAFT **SS430**
 HARDWARE **SUS**
 "O" RINGS **NBR**
 MECHANICAL SEALS **Standard**
 UPPER BEARING **608-2RS**
 LOWER BEARING **6200**

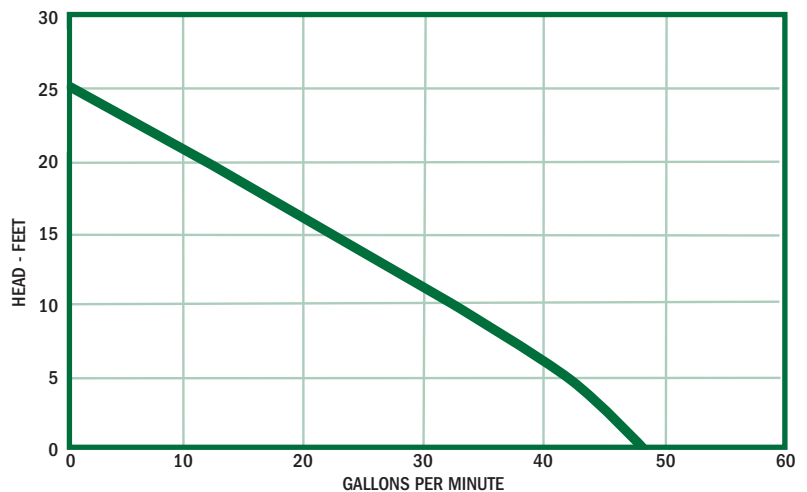
ELECTRICAL DATA

R.P.M. **3450**
 MOTOR TYPE **PSC**
 GEN INSULATION CLASS **B**
 STATOR WINDING CLASS **B**
 MAXIMUM STATOR TEMP **120°C**
 VOLTAGE TOLERANCE **±10%**
 MOTOR PROTECTION **Thermally Protected**
 HP **1/3**
 VOLTAGE **115**
 PHASE **1**
 SERVICE FACTOR **1**
 FULL LOAD AMPS **3.0**

DIMENSIONAL DATA



PERFORMANCE CURVE



PERFORMANCE CHART

Total Lift(feet)	0	5	10	15	20	25
GPM	48	42	31	22	13	0



P U M P

Honest, Professional, Dependable

1899 Cottage Street, Ashland, Ohio 44805
 Telephone: 855 281-6830 · Fax: 877 326-1994 · ashlandpump.com