

# Ashland

P U M P

## SPV33 CAST IRON SUMP PUMP

### FEATURES

- Heavy duty cast iron construction
- Oil-filled continuous duty PSC motor
- Lower ball bearing construction for smoother operation
- Automatic operation with integrated float switch

*Honest  
Professional  
Dependable*

1899 Cottage Street, Ashland, Ohio 44805  
Telephone: 855 281-6830 · Fax: 877 326-1994  
[ashlandpump.com](http://ashlandpump.com)



# SPV33 - 1/3 HP Cast Iron Sump Pump

## TECHNICAL DATA

### Physical Data:

DISCHARGE SIZE **1-1/2" NPT**  
 IMPELLER TYPE **6-Vane -Plastic**  
 CABLE LENGTH **10'**

### Liquid Handling:

SOLIDS SIZE **1/2"**  
 MAXIMUM LIQUID TEMP. **104°F - Intermittent**  
 ACCEPTABLE PH RANGE **6-8 PH**

### Temperature:

MAXIMUM STATOR **120°C**

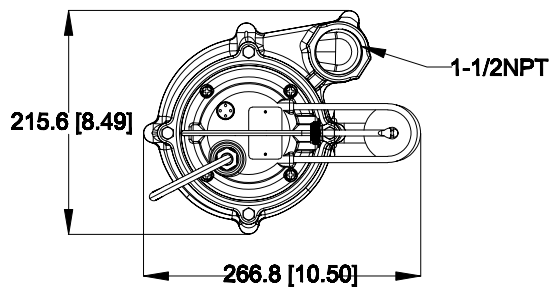
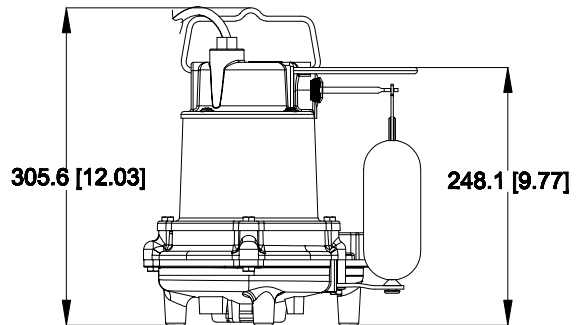
### Technical Data:

POWER CORD TYPE **SJTW 18/3C**  
 MOTOR HOUSING **Cast Iron**  
 CASING **Cast Iron**  
 IMPELLER **Thermoplastic**  
 MOTOR SHAFT **Carbon Steel**  
 HARDWARE **SST**  
 "O" RINGS **NBR**  
 SEAL **Single Mechanical  
Carbon Ceramic**  
 UPPER BEARING **Sleeve Bearing**  
 LOWER BEARING **6202-RS**

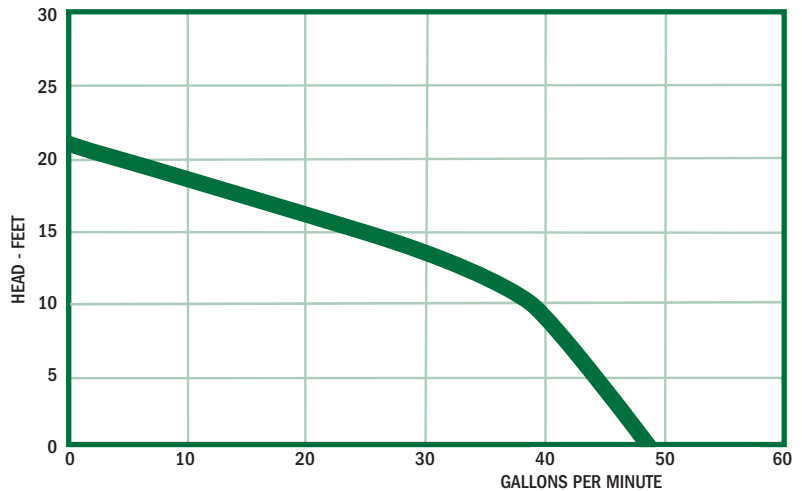
## ELECTRICAL DATA

R.P.M. **1750**  
 MOTOR TYPE **PSC**  
 GEN INSULATION CLASS **B**  
 STATOR WINDING CLASS **B**  
 MAXIMUM STATOR TEMP **120°C**  
 VOLTAGE TOLERANCE **±10%**  
 MOTOR PROTECTION **Thermally Protected**  
 HP **1/3**  
 VOLTAGE **115**  
 PHASE **1**  
 SERVICE FACTOR **1**  
 FULL LOAD AMPS **6.5**

## DIMENSIONAL DATA



## PERFORMANCE CURVE



## PERFORMANCE CHART

Total Lift(feet)	0	10	15	20	21
GPM	47	39	25	3	0



P U M P

*Honest, Professional, Dependable*

1899 Cottage Street, Ashland, Ohio 44805  
 Telephone: 855 281-6830 · Fax: 877 326-1994 · ashlandpump.com